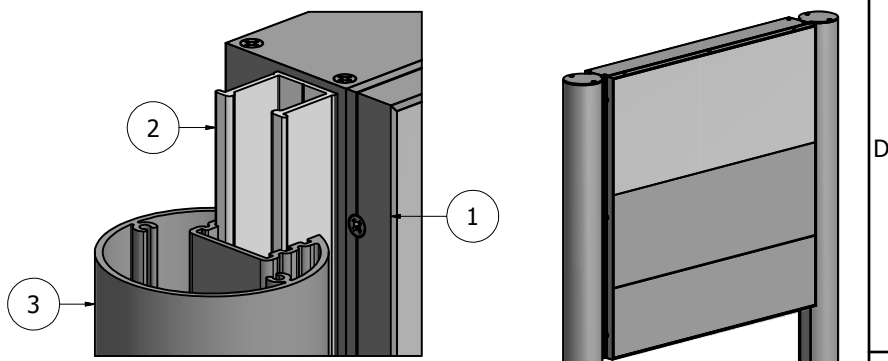
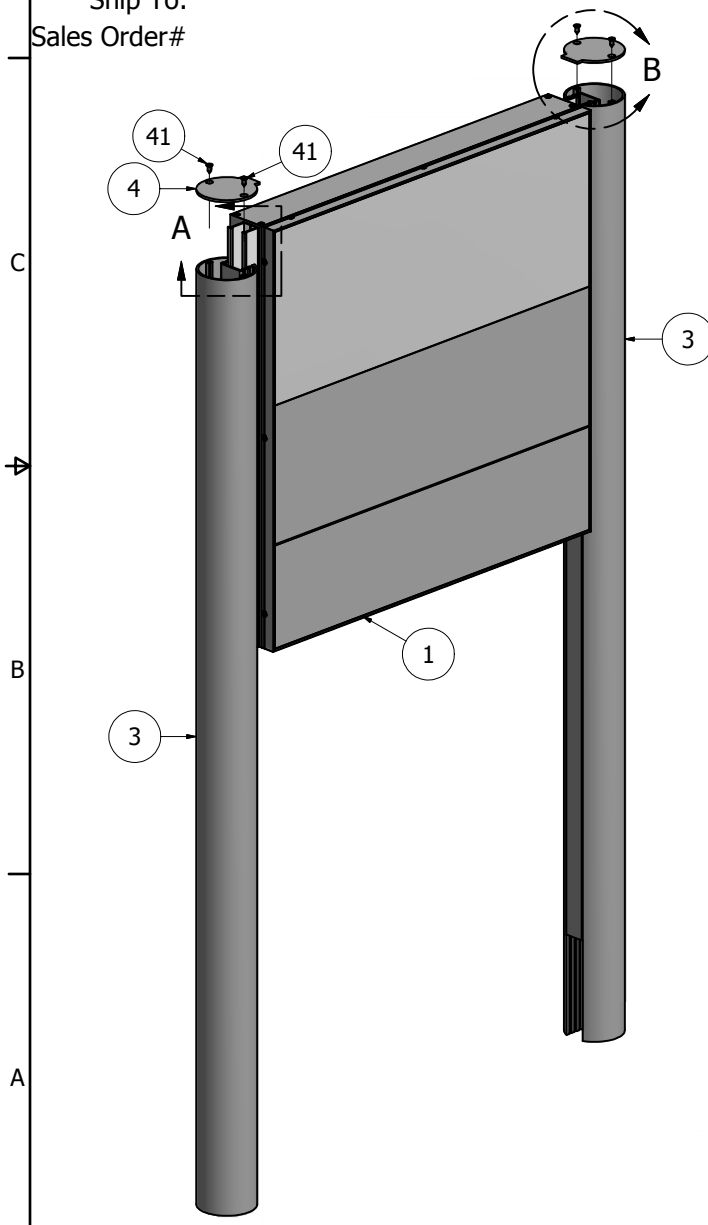
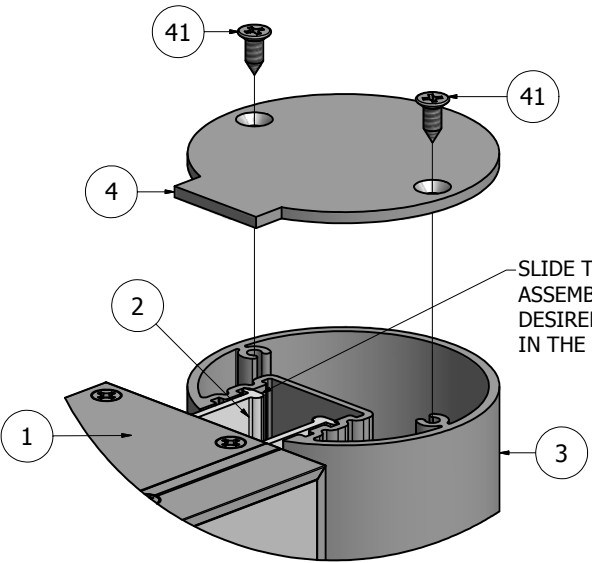


PARTS LIST			
ITEM	PART#	DESCRIPTION	NOTES
1	K1291/92/96	Series 3 Single Face Access Body w/ Insert Covers and End Cover	Assembly
2	1200	Series 2/3 Reveal	Attaches to the Body
3	K1237	Series 3 Round Post	Assembly
4	Post Cap	Series 3 Round Post Cap	Zero Reveal #5415, 3/8" Reveal 5416, 3/4" Reveal #5417
41	5040	Cap Screw	#10 Countersink

Ship To:
Sales Order#

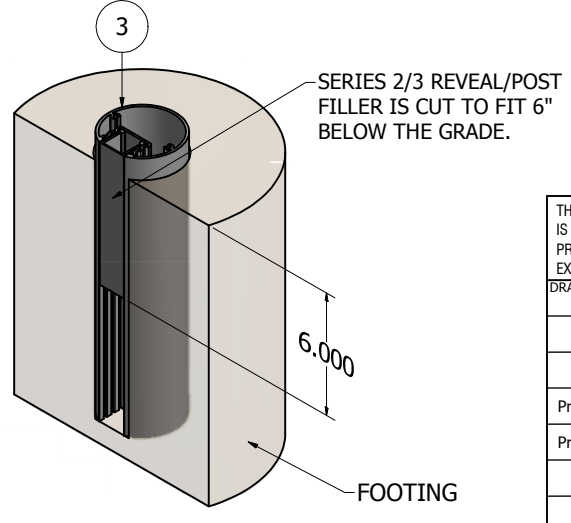
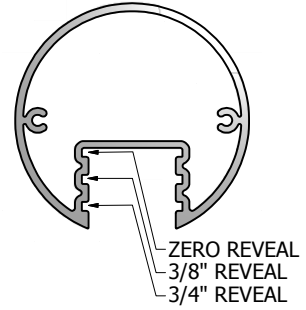


DETAIL A



DETAIL B

REVEAL SETTING OPTIONS



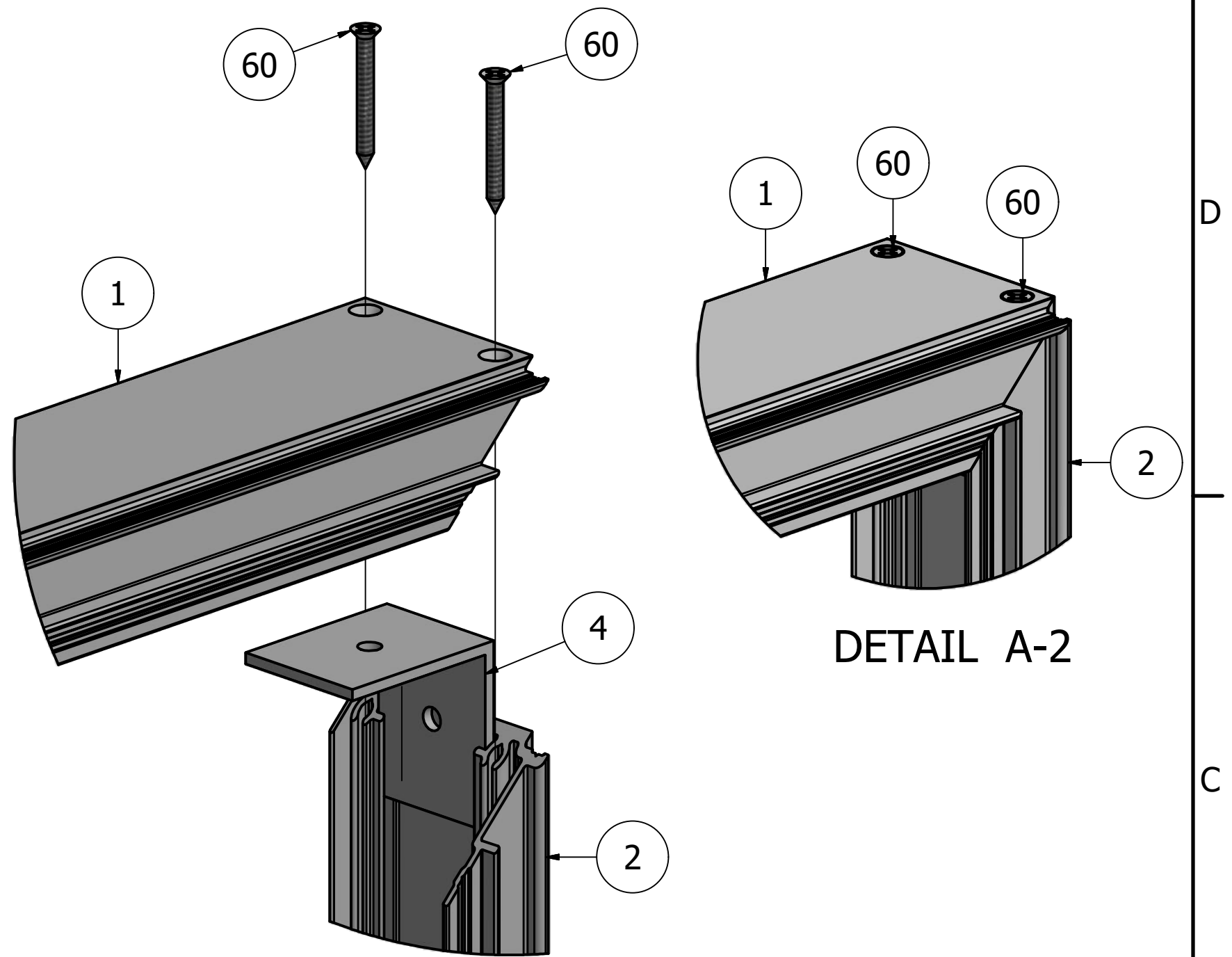
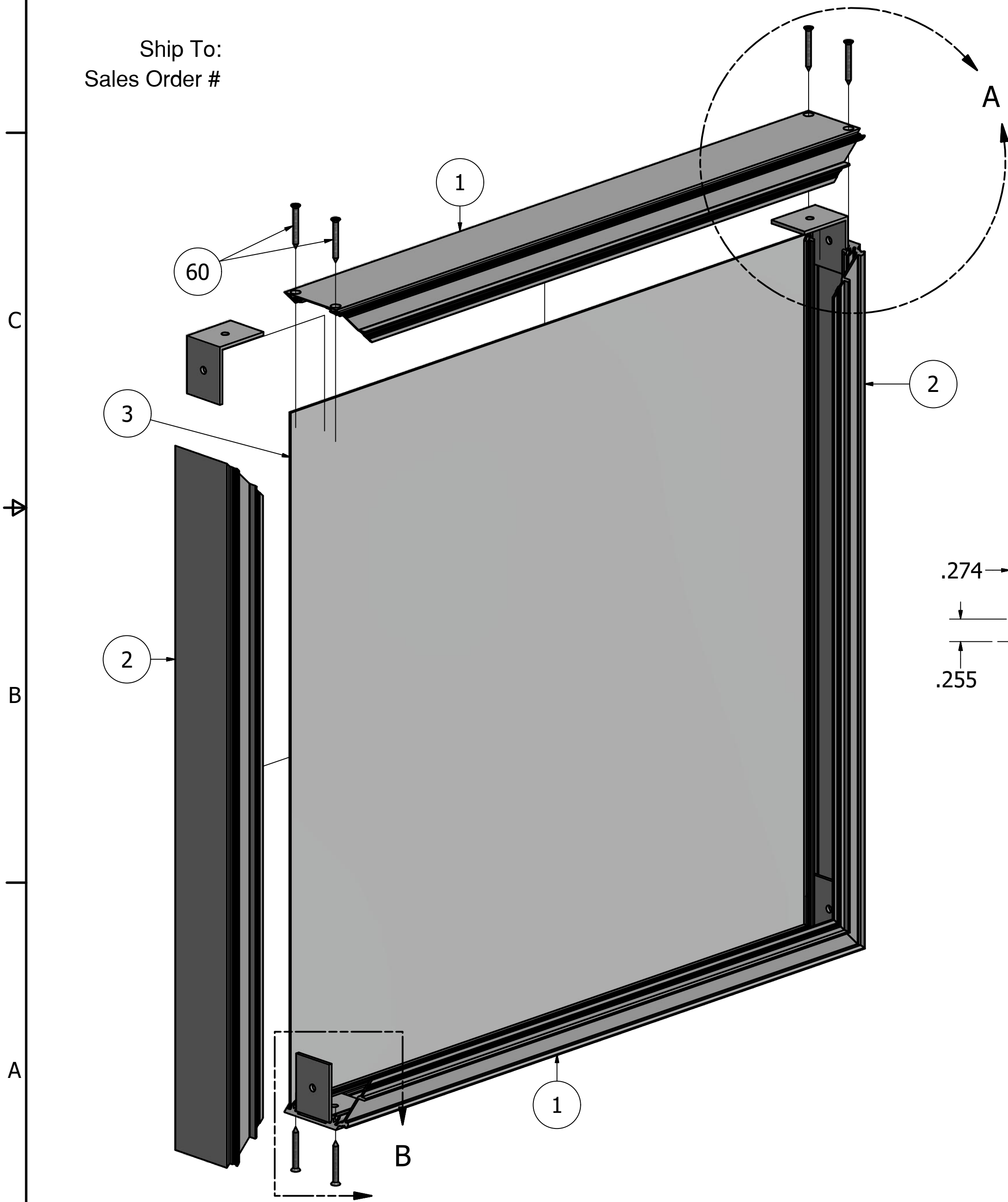
FOOTING

NOTE: PRE-CUT KITS ARE NOT PRE-DRILLED.
(Holes shown in this drawing are for reference only.
Drilling of pilot holes are to be done by fabricator.)

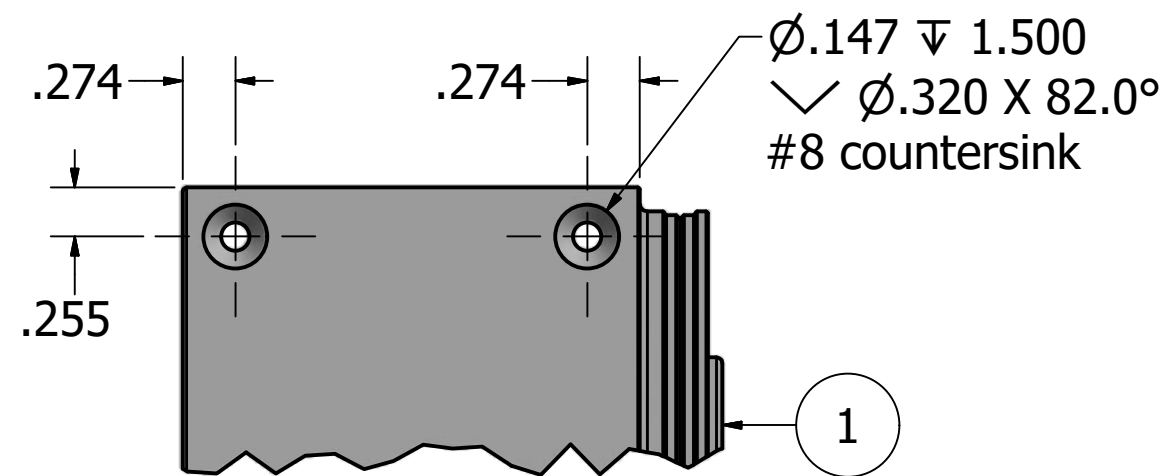
THIS DRAWING WAS CREATED AT NO CHARGE TO ASSIST YOU IN VISUALIZING OUR PROPOSAL. THE DRAWING HEREIN IS THE PROPERTY OF SIGNCOMP. PERMISSION TO COPY OR REVISE THIS DRAWING OR TO USE THIS DRAWING FOR PRODUCTION IS STRICTLY PROHIBITED AND CAN ONLY BE COPIED, REVISED OR USED FOR PRODUCTION WITH THE EXPRESSED WRITTEN PERMISSION OF SIGNCOMP.			
DRAWN	SBreihof	10/22/2012	SignComp
Centroid X:	0.000 in		
Centroid Y:	0.000 in		TITLE
Principal Moments Ix:	0.000 in ⁴		Series 3 - Single Face Access Body w/ Insert Covers and End Cover - Series 3 Round Post - Assembly
Principal Moments Iy:	0.000 in ⁴		DWG NO
Section Modulus Ix:	0.000 in ³		K1291/92/96/37
Section Modulus Iy:	0.000 in ³		REV
			SHEET 1 OF 1

PARTS LIST			
ITEM	PART#	DESCRIPTION	NOTES
1	1291	Series 3 Single Face Access Body	Top & Bottom
2	1291	Series 3 Single Face Access Body	Sides
3	Back Panel	.063 Aluminum Back Panel	By Other
4	5338	Series 3 Single Face Access Body Corner Angle	One (1) per body corner
60	5270	Access body Corner Screw	See hole detail

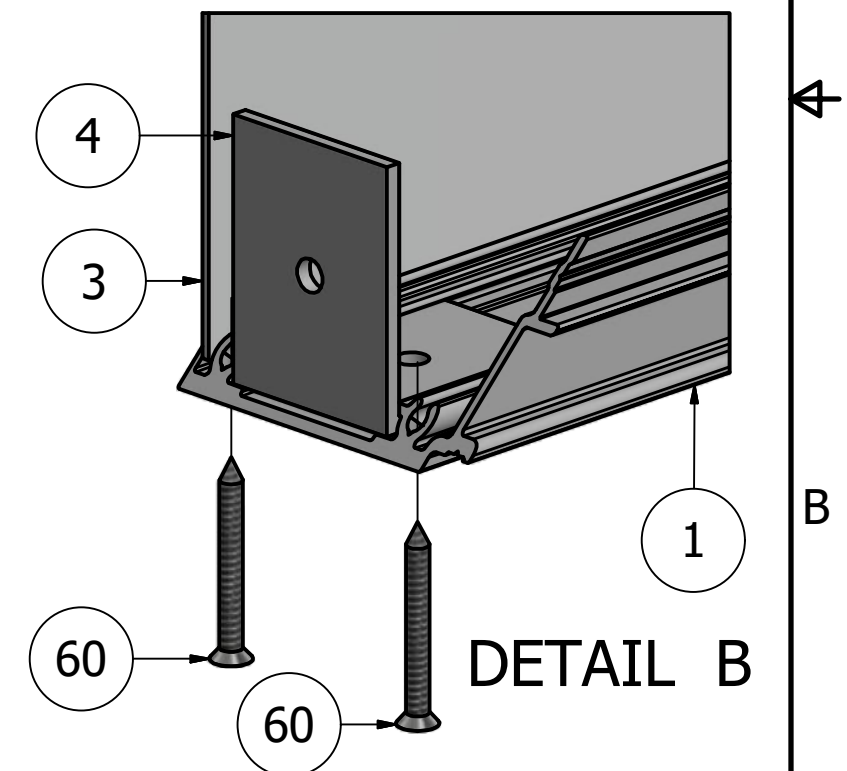
Ship To:
Sales Order #



DETAIL A-1



HOLE DETAIL
DRILLED BY OTHER



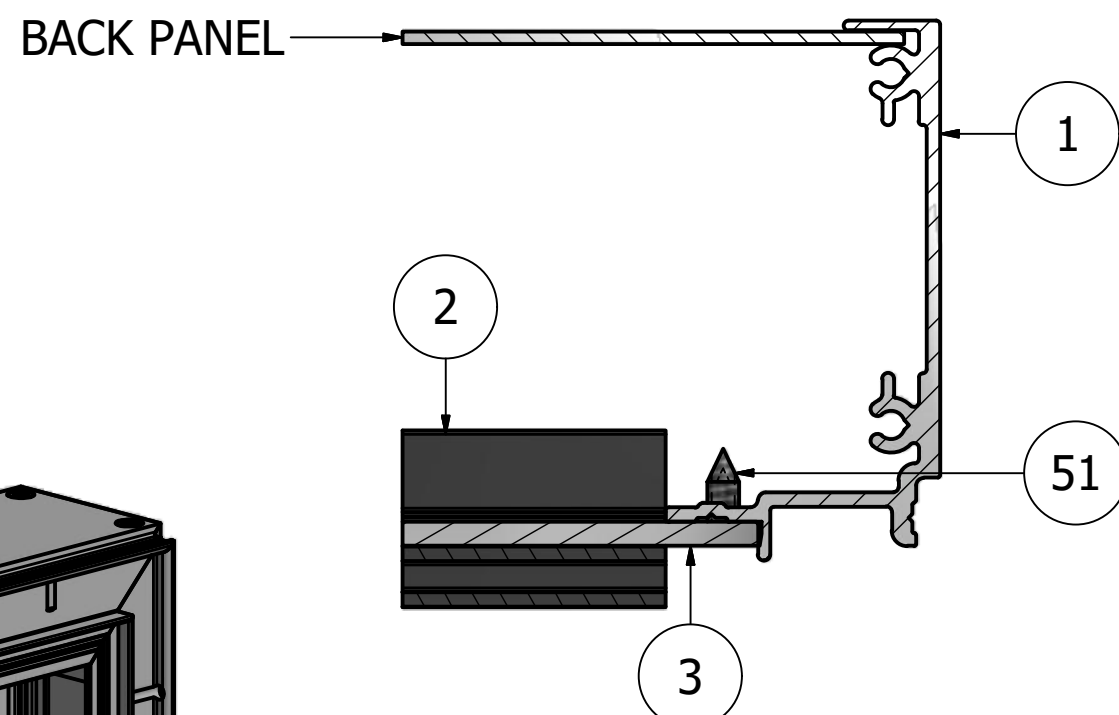
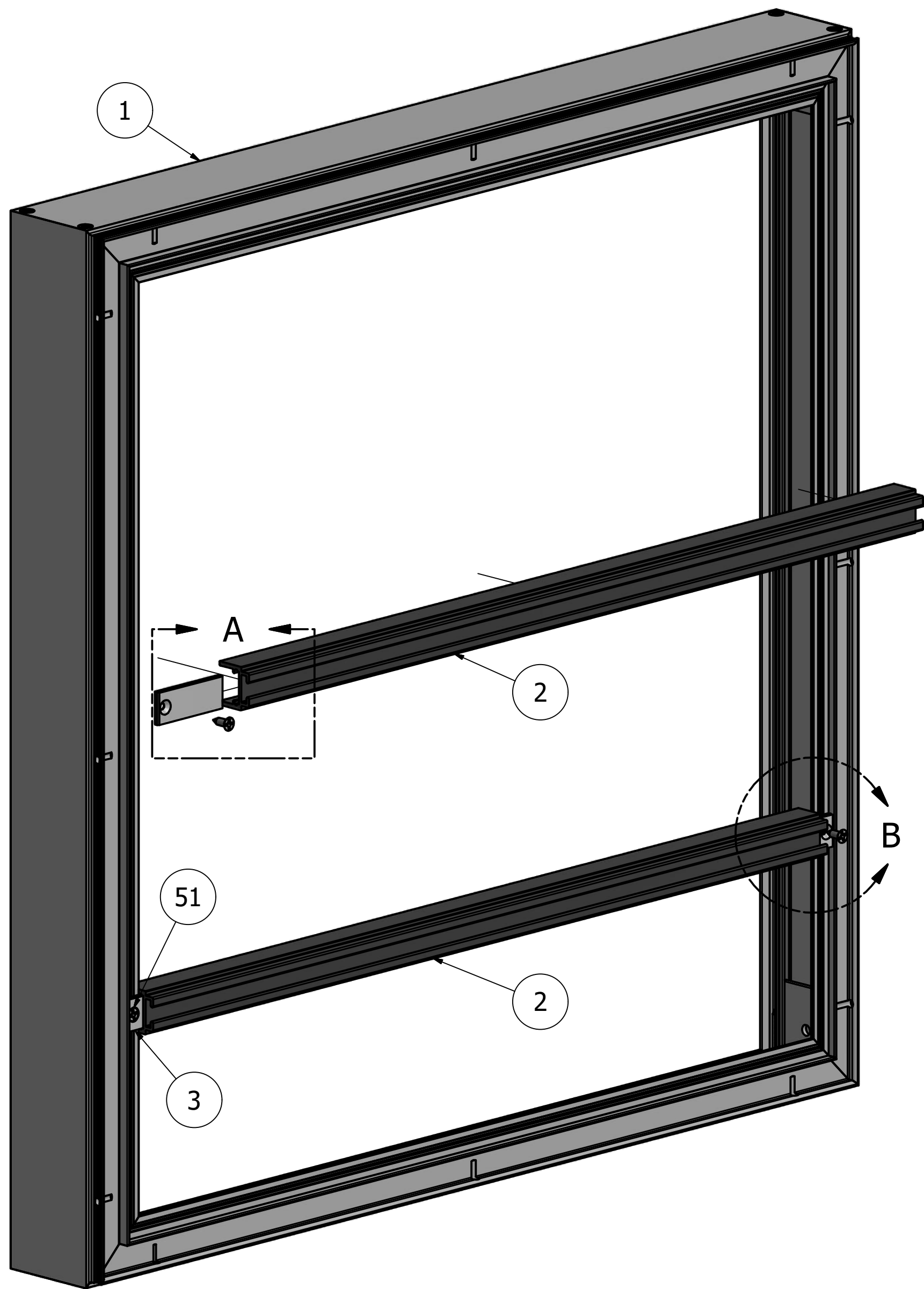
DETAIL B

NOTE: PRE-CUT KITS ARE NOT PRE-DRILLED.
(Holes shown in this drawing are for reference only.
Drilling of pilot holes are to be done by fabricator.)

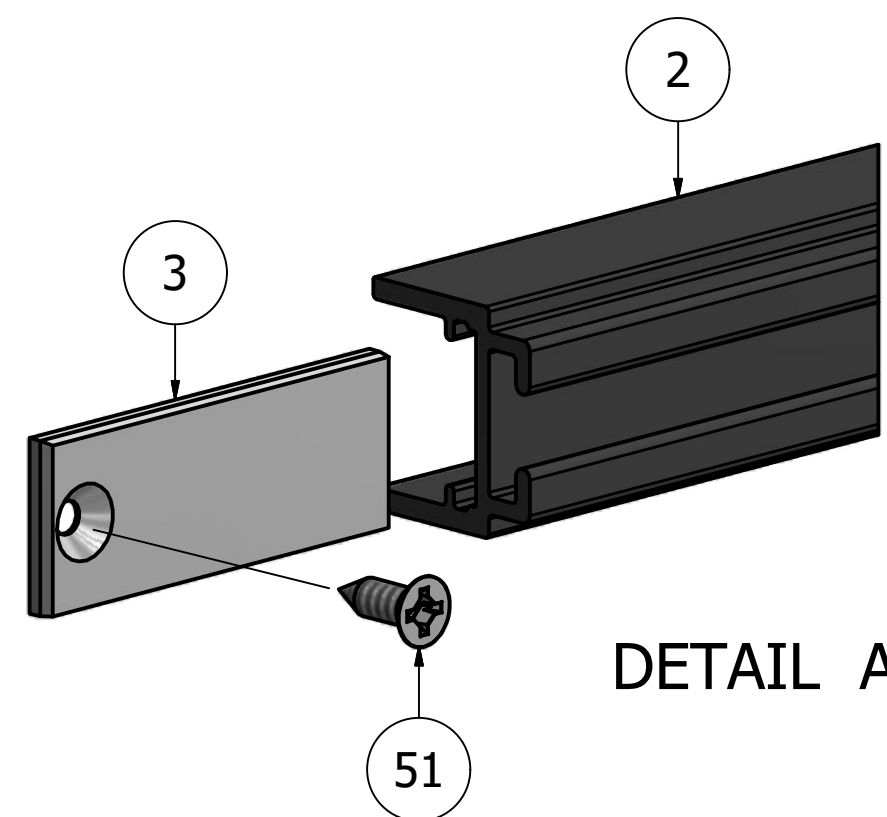
THIS DRAWING WAS CREATED AT NO CHARGE TO ASSIST YOU IN VISUALIZING OUR PROPOSAL. THE DRAWING HEREIN IS THE PROPERTY OF SIGNCOMP. PERMISSION TO COPY OR REVISE THIS DRAWING OR TO USE THIS DRAWING FOR PRODUCTION IS STRICTLY PROHIBITED AND CAN ONLY BE COPIED, REVISED OR USED FOR PRODUCTION WITH THE EXPRESSED WRITTEN PERMISSION OF SIGNCOMP.				
DRAWN	SBreihof	9/6/2012		
	Centroid X:	0.000 in		
	Centroid Y:	0.000 in		
	Principal Moments Ix:	0.000 in ⁴		
	Principal Moments Iy:	0.000 in ⁴		
	Section Modulus Ix:	0.000 in ³	DWG NO	K1291
	Section Modulus Iy:	0.000 in ³		REV
			SHEET 1 OF 1	

PARTS LIST			
ITEM	PART #	DESCRIPTION	NOTES
1	1291	Single Face Access Body	Assembly
2	1668	Insert Divider	
3	5306	Insert Divider Tab	Two (2) per divider
51	5168	Insert Divider Screw	Drill #8 Countersink

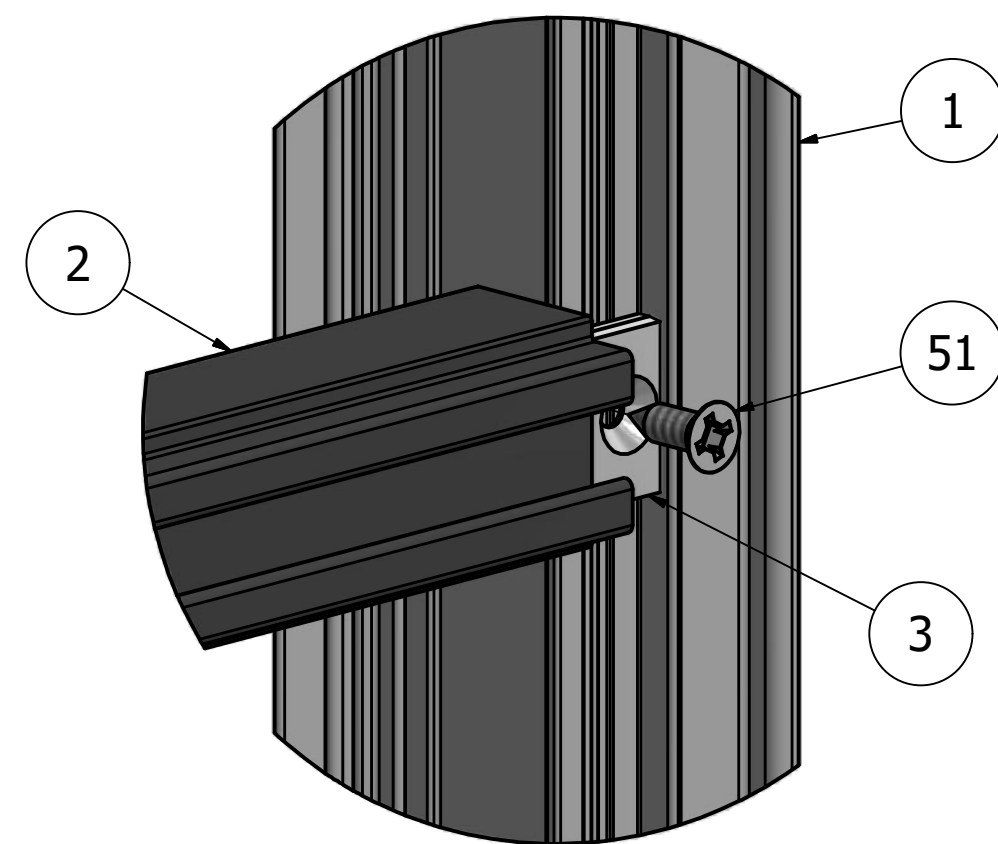
Ship To:
Sales Order #



SIDE CROSS-SECTION



DETAIL A



DETAIL B

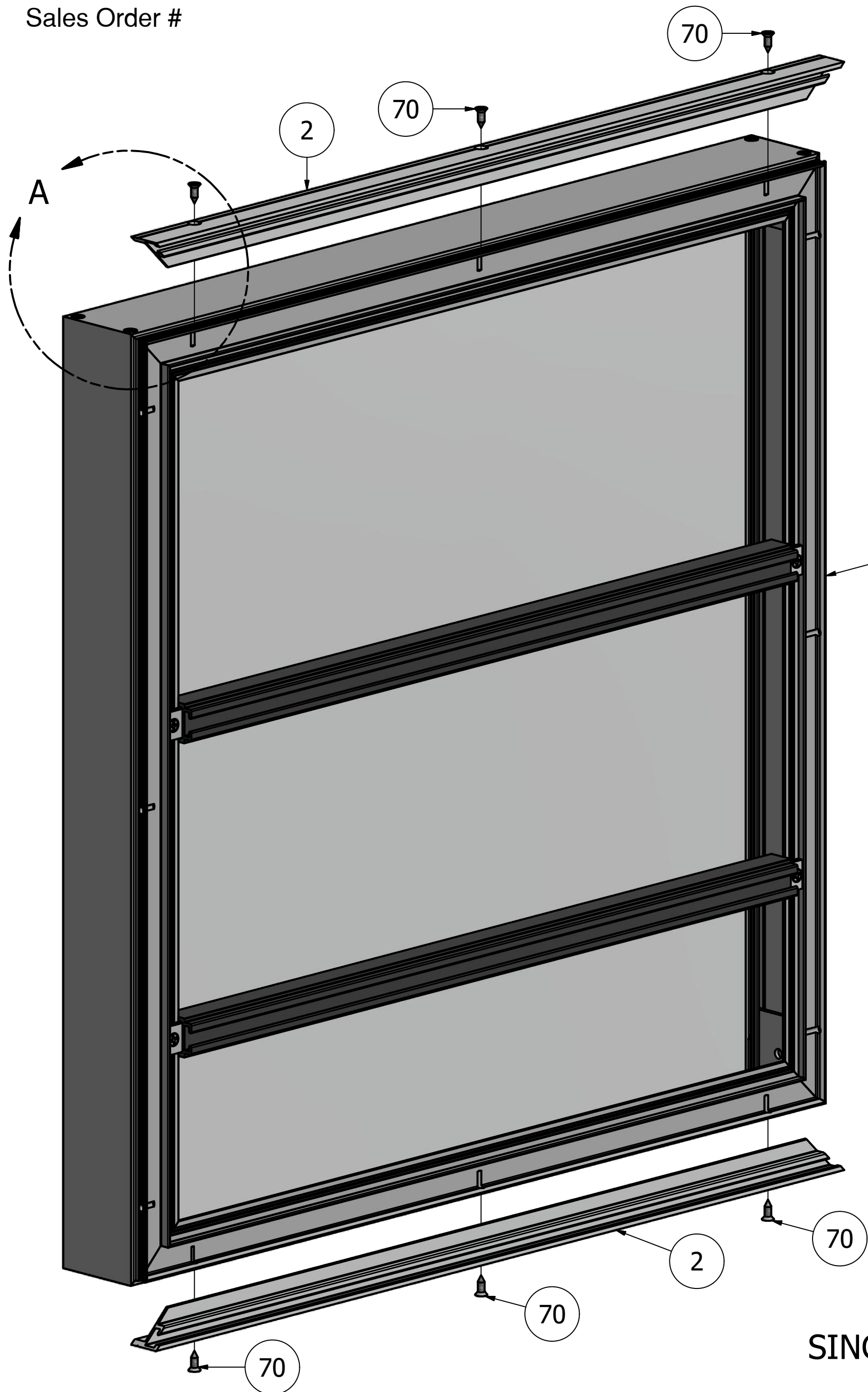
NOTE: PRE-CUT KITS ARE NOT PRE-DRILLED.
(Holes shown in this drawing are for reference only.
Drilling of pilot holes are to be done by fabricator.)

THIS DRAWING WAS CREATED AT NO CHARGE TO ASSIST YOU IN VISUALIZING OUR PROPOSAL. THE DRAWING HEREIN IS THE PROPERTY OF SIGNCOMP. PERMISSION TO COPY OR REVISE THIS DRAWING OR TO USE THIS DRAWING FOR PRODUCTION IS STRICTLY PROHIBITED AND CAN ONLY BE COPIED, REVISED OR USED FOR PRODUCTION WITH THE EXPRESSED WRITTEN PERMISSION OF SIGNCOMP.

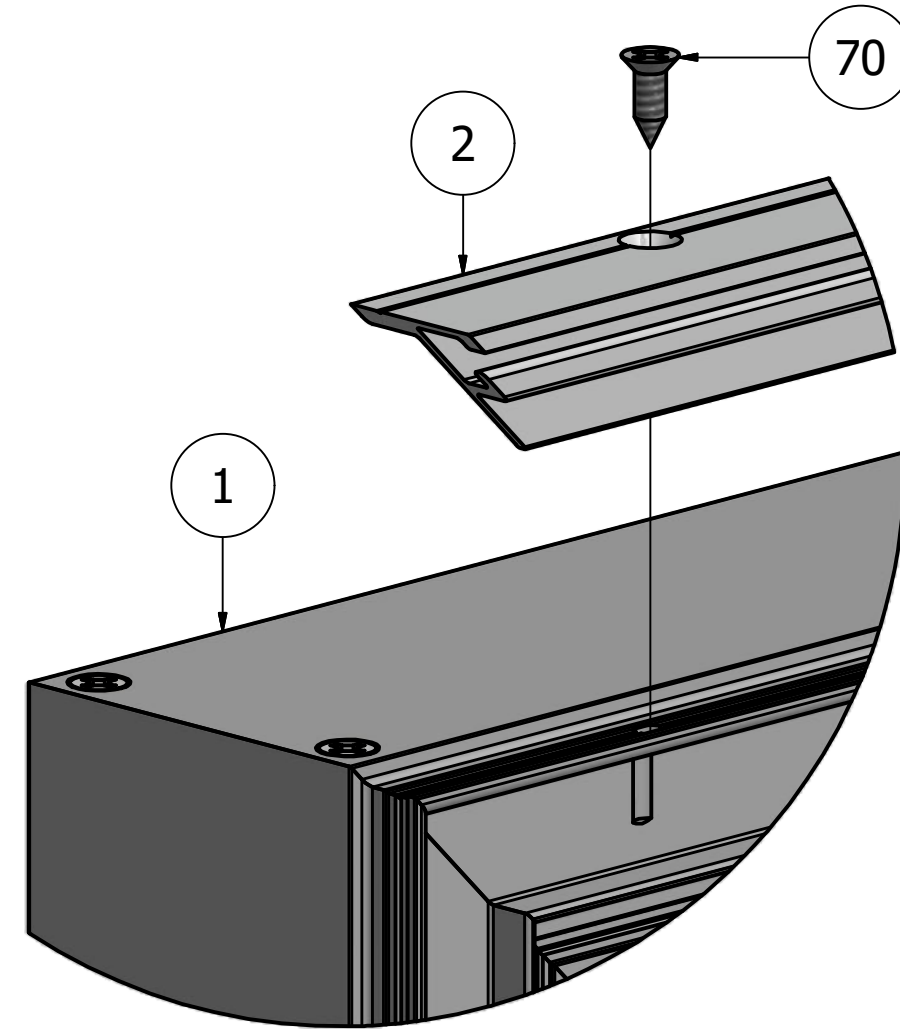
DRAWN	SBreihof	9/25/2012	SignComp
Centroid X:	0.000 in		
Centroid Y:	0.000 in		TITLE
Principal Moments Ix:	0.000 in ⁴		Series 3 - Single Face Access Body with Insert Divider - Assembly
Principal Moments Iy:	0.000 in ⁴		DWG NO
Section Modulus Ix:	0.000 in ³		K1291/68
Section Modulus Iy:	0.000 in ³		REV
			SHEET 1 OF 1

PARTS LIST			
ITEM	PART#	DESCRIPTION	NOTES
1	1291	Series 3 Single Face Access Body	Assembly
2	1292	Insert Top & Bottom Cover	
70	5168	Insert Top & Bottom Cover Screw	Drill #8 Countersink

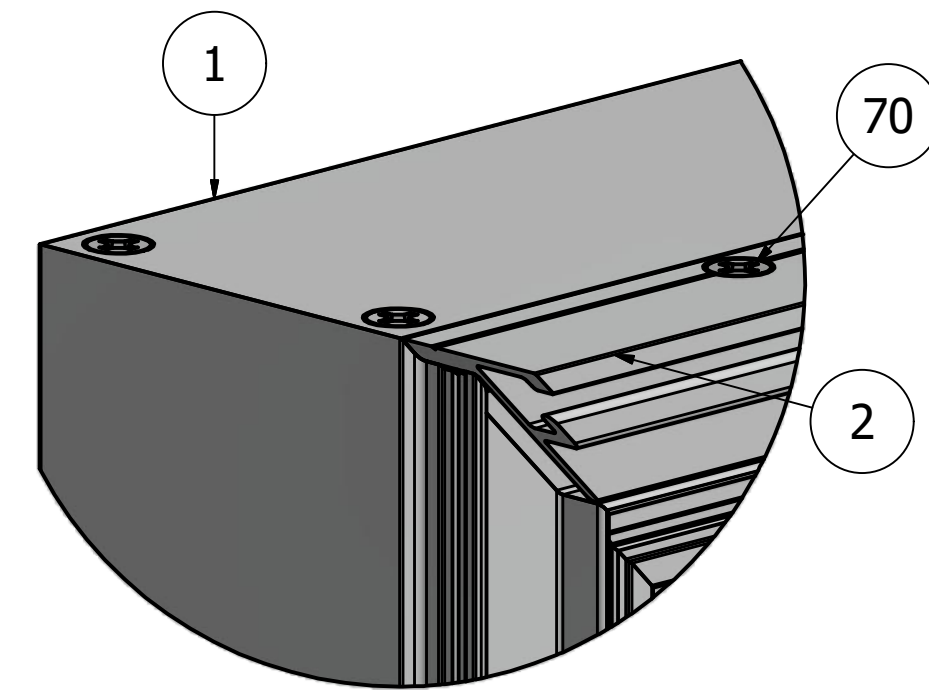
Ship To:
Sales Order #



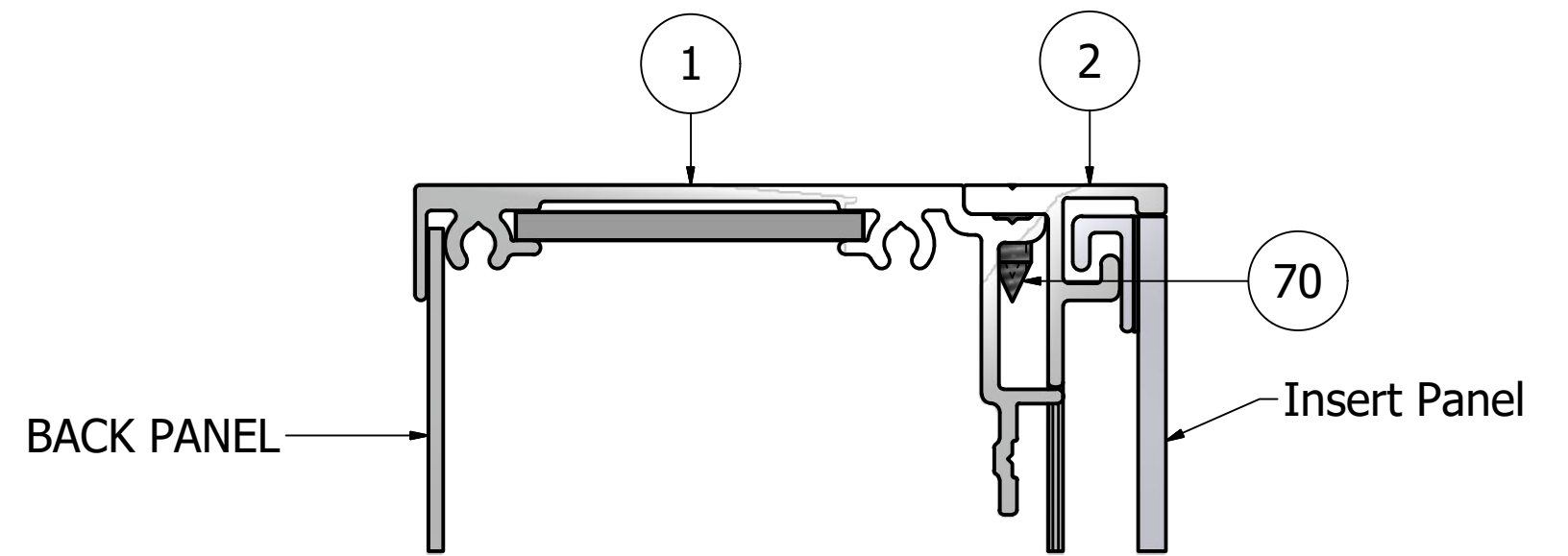
SINGLE SIDED BODY



DETAIL A-1
Unassembled



DETAIL A-2
Assembled



TOP CROSS-SECTION

NOTE: PRE-CUT KITS ARE NOT PRE-DRILLED.

(Holes shown in this drawing are for reference only.
Drilling of pilot holes are to be done by fabricator.)

THIS DRAWING WAS CREATED AT NO CHARGE TO ASSIST YOU IN VISUALIZING OUR PROPOSAL. THE DRAWING HEREIN IS THE PROPERTY OF SIGNCOMP. PERMISSION TO COPY OR REVISE THIS DRAWING OR TO USE THIS DRAWING FOR PRODUCTION IS STRICTLY PROHIBITED AND CAN ONLY BE COPIED, REVISED OR USED FOR PRODUCTION WITH THE EXPRESSED WRITTEN PERMISSION OF SIGNCOMP.

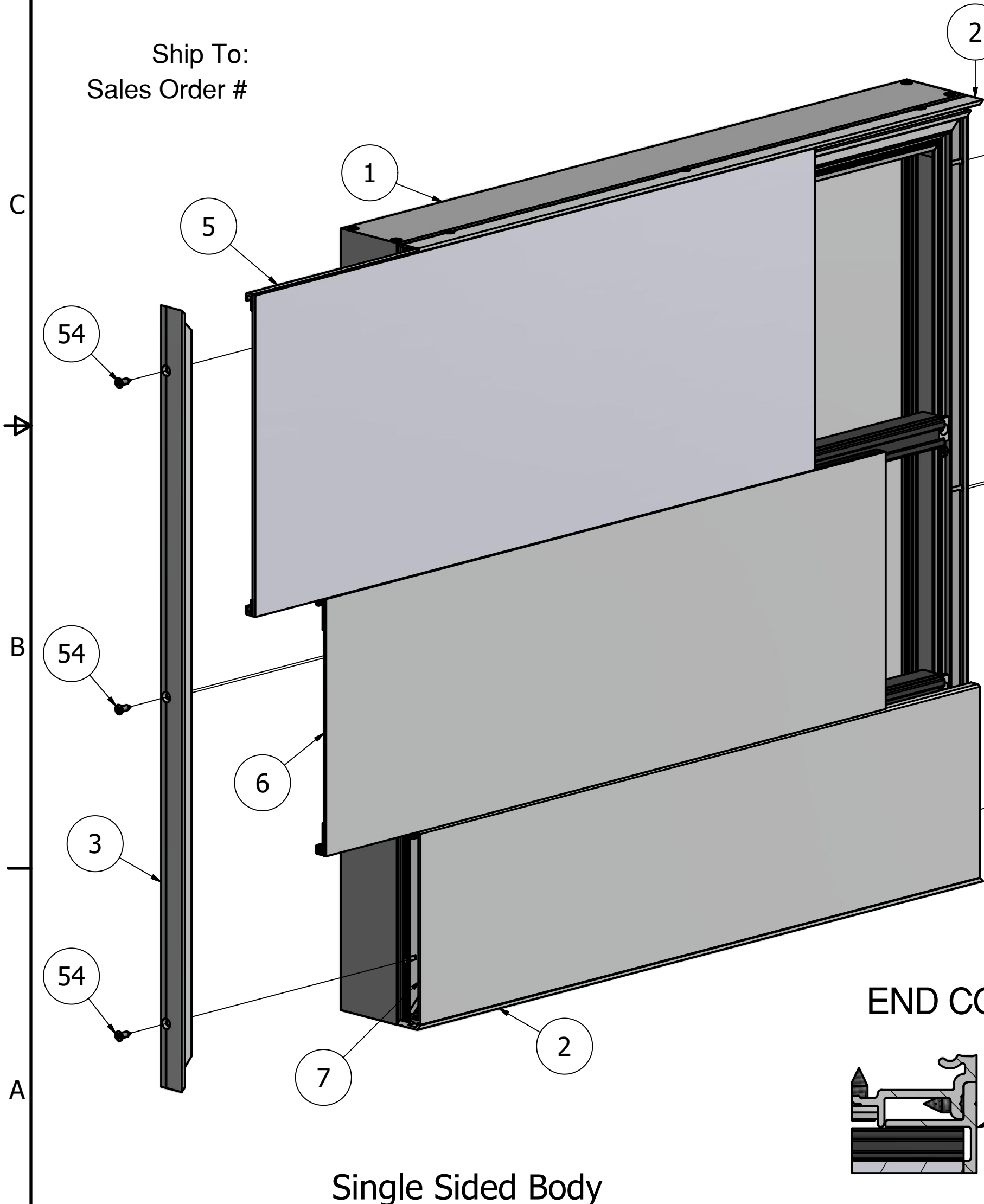
DRAWN	SBreihof	9/25/2012	SignComp
Centroid X:	0.000 in		
Centroid Y:	0.000 in		TITLE
Principal Moments Ix:	0.000 in ⁴		Series 3 - Single Face Access Body w/ Insert Top & Bottom Cover - Assembly
Principal Moments Iy:	0.000 in ⁴		DWG NO
Section Modulus Ix:	0.000 in ³		K1291/1292
Section Modulus Iy:	0.000 in ³		REV
			SHEET 1 OF 1

PARTS LIST			
ITEM	PART#	DESCRIPTION	NOTES
1	K1291	Single Face Access Body	Assembly
2	1292	Insert Cover	Top & Bottom
3	1696/1698	Insert End Cover/Ext. Insert End Cover	Sides
4	1668	Insert Divider	
5	1689	Panel w/ Plastic Insert Adaptors	Panel by Other
6	1679	Panel w/ Aluminum Insert Adaptors	Panel by Other
7	1674/76/78	4", 6", 8" Aluminum insert Panels	
54	5168	Insert End Cover Screw	Drill #8 Countersink

NOTE: PRE-CUT KITS ARE NOT PRE-DRILLED.

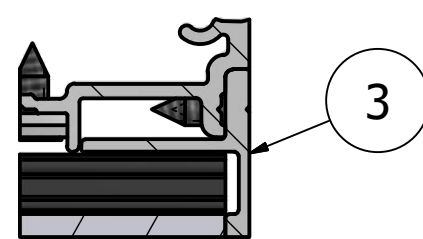
(Holes shown in this drawing are for reference only.
Drilling of pilot holes are to be done by fabricator.)

Ship To:
Sales Order #

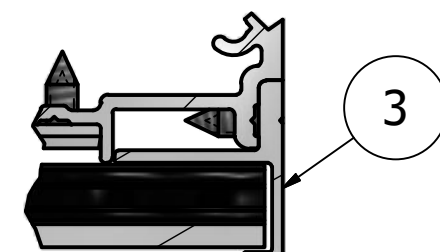


Single Sided Body

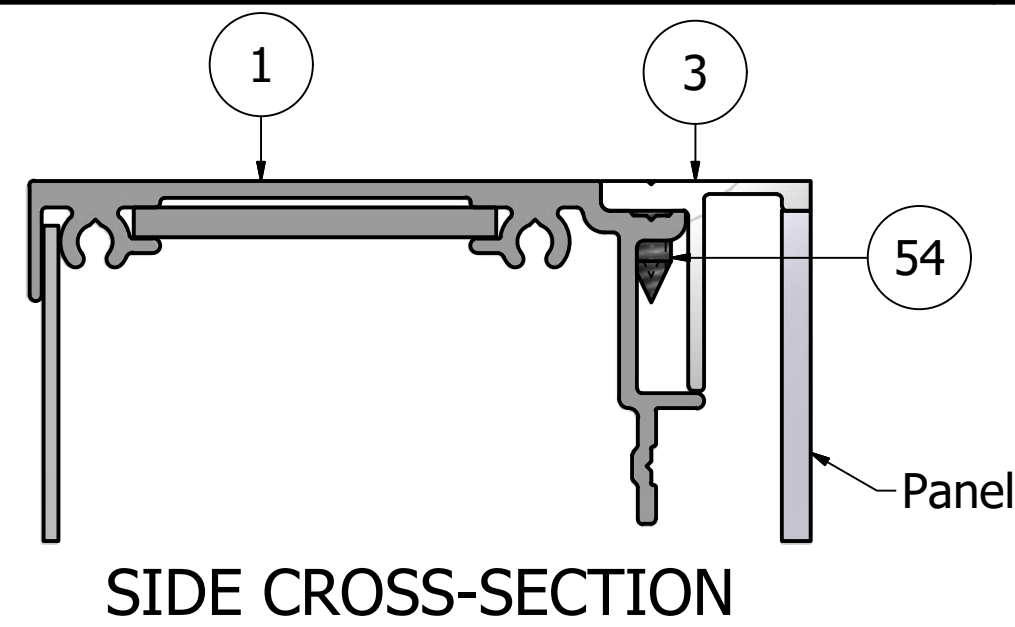
END COVER OPTIONS



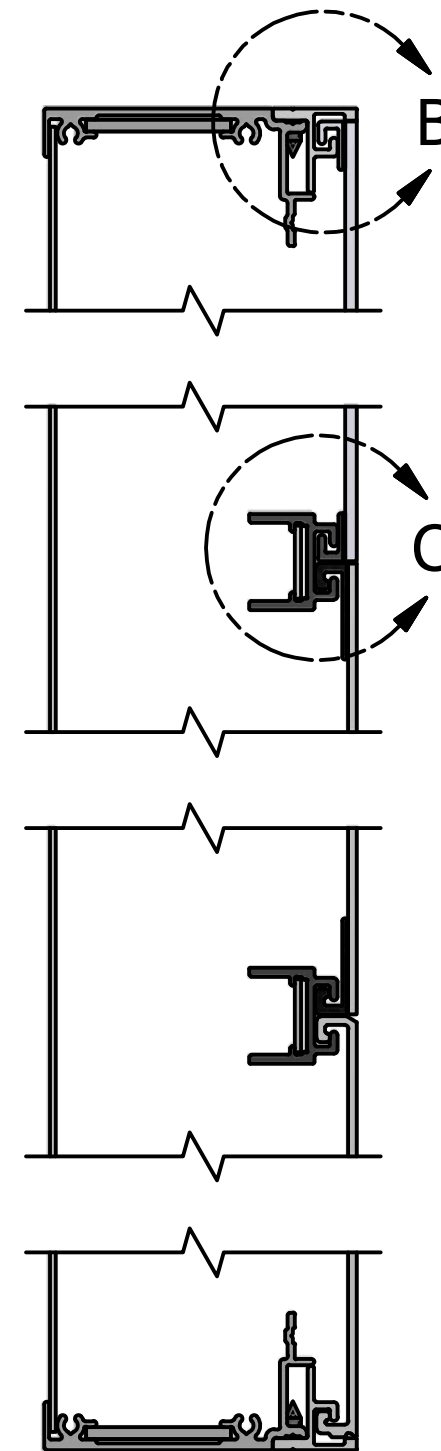
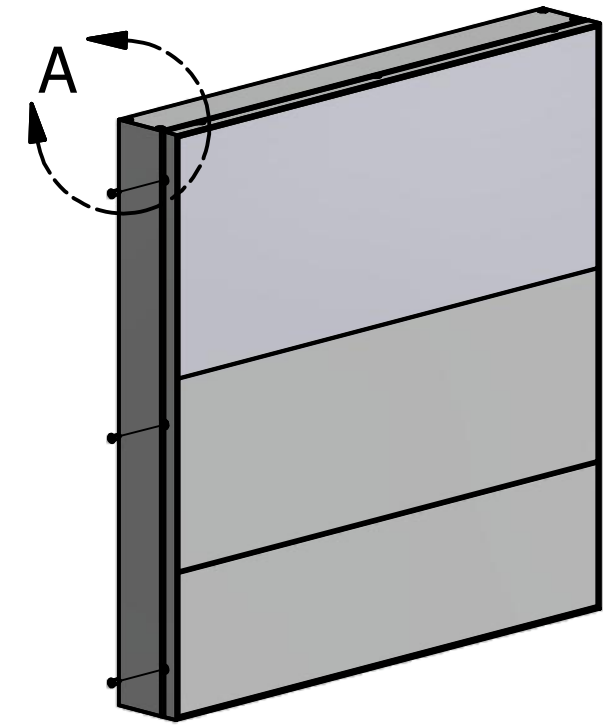
End Cover #1696



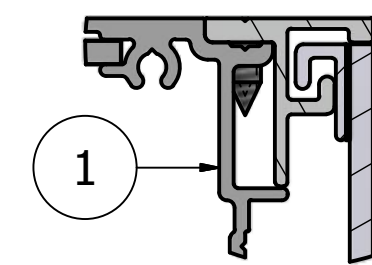
Ext. End Cover #1698



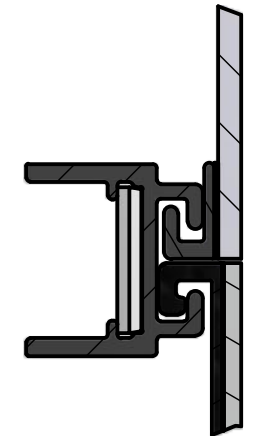
SIDE CROSS-SECTION



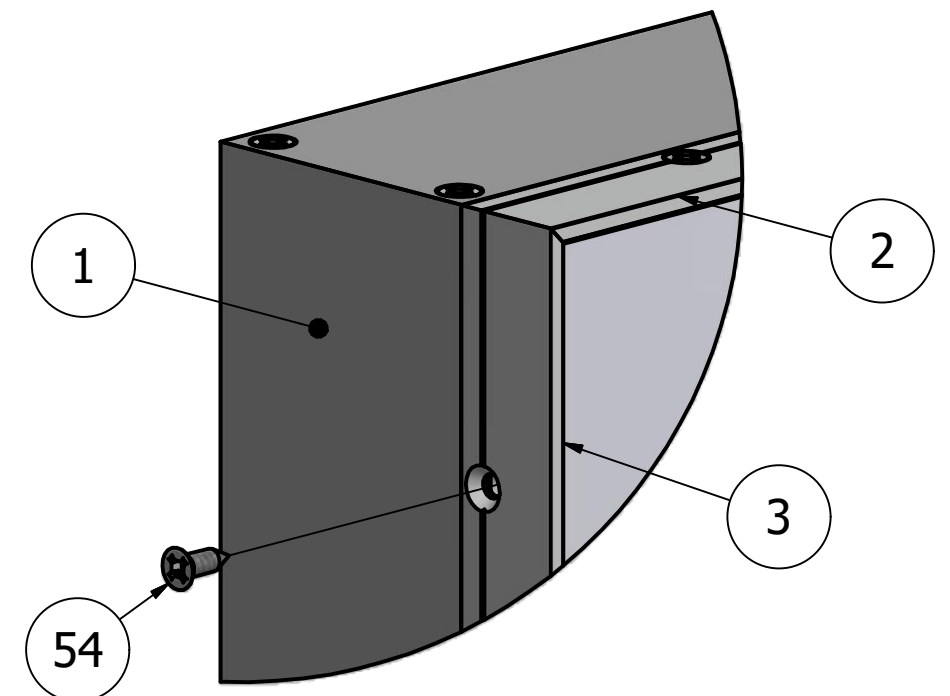
CABINET SECTION-VIEW THROUGH HORIZONTALS



DETAIL B



DETAIL C



DETAIL A

THIS DRAWING WAS CREATED AT NO CHARGE TO ASSIST YOU IN VISUALIZING OUR PROPOSAL. THE DRAWING HEREIN IS THE PROPERTY OF SIGNCOMP. PERMISSION TO COPY OR REVISE THIS DRAWING OR TO USE THIS DRAWING FOR PRODUCTION IS STRICTLY PROHIBITED AND CAN ONLY BE COPIED, REVISED OR USED FOR PRODUCTION WITH THE EXPRESSED WRITTEN PERMISSION OF SIGNCOMP.

DRAWN	SBreihof	9/24/2012
Centroid X:	0.000 in	
Centroid Y:	0.000 in	
Principal Moments Ix:	0.000 in ⁴	
Principal Moments Iy:	0.000 in ⁴	
Section Modulus Ix:	0.000 in ³	
Section Modulus Iy:	0.000 in ³	

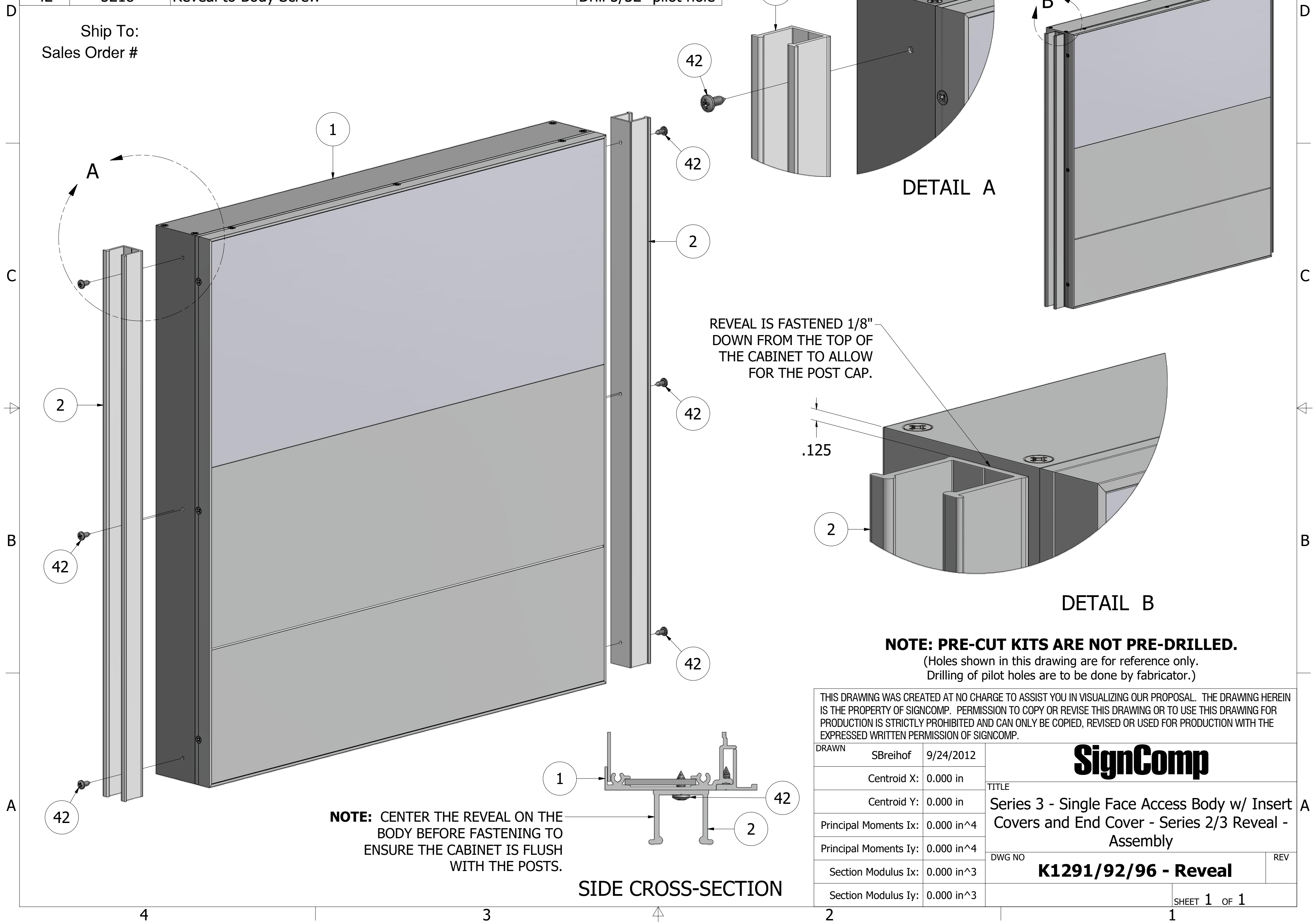
SignComp

TITLE
Series 3 - Single Face Access Body w/ Insert Covers & Insert End Cover - Assembly

DWG NO **K1291/92/96** REV

PARTS LIST			
ITEM	PART#	DESCRIPTION	NOTES
1	K1291/92/96	Series 3 Single Face Body w/ Insert Covers and End Cover	Assembly
2	1200	Series 2/3 Reveal	
42	5218	Reveal to Body Screw	Drill 5/32" pilot hole

Ship To:
Sales Order #



REVEAL IS FASTENED 1/8" DOWN FROM THE TOP OF THE CABINET TO ALLOW FOR THE POST CAP.

.125

NOTE: PRE-CUT KITS ARE NOT PRE-DRILLED.
(Holes shown in this drawing are for reference only. Drilling of pilot holes are to be done by fabricator.)

THIS DRAWING WAS CREATED AT NO CHARGE TO ASSIST YOU IN VISUALIZING OUR PROPOSAL. THE DRAWING HEREIN IS THE PROPERTY OF SIGNCOMP. PERMISSION TO COPY OR REVISE THIS DRAWING OR TO USE THIS DRAWING FOR PRODUCTION IS STRICTLY PROHIBITED AND CAN ONLY BE COPIED, REVISED OR USED FOR PRODUCTION WITH THE EXPRESSED WRITTEN PERMISSION OF SIGNCOMP.

DRAWN	SBreihof	9/24/2012
Centroid X:	0.000 in	
Centroid Y:	0.000 in	
Principal Moments Ix:	0.000 in ⁴	
Principal Moments Iy:	0.000 in ⁴	
Section Modulus Ix:	0.000 in ³	
Section Modulus Iy:	0.000 in ³	

SignComp

TITLE
Series 3 - Single Face Access Body w/ Insert Covers and End Cover - Series 2/3 Reveal - Assembly

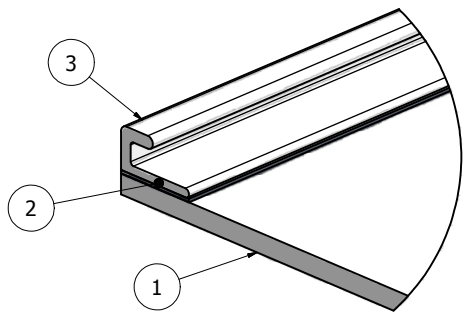
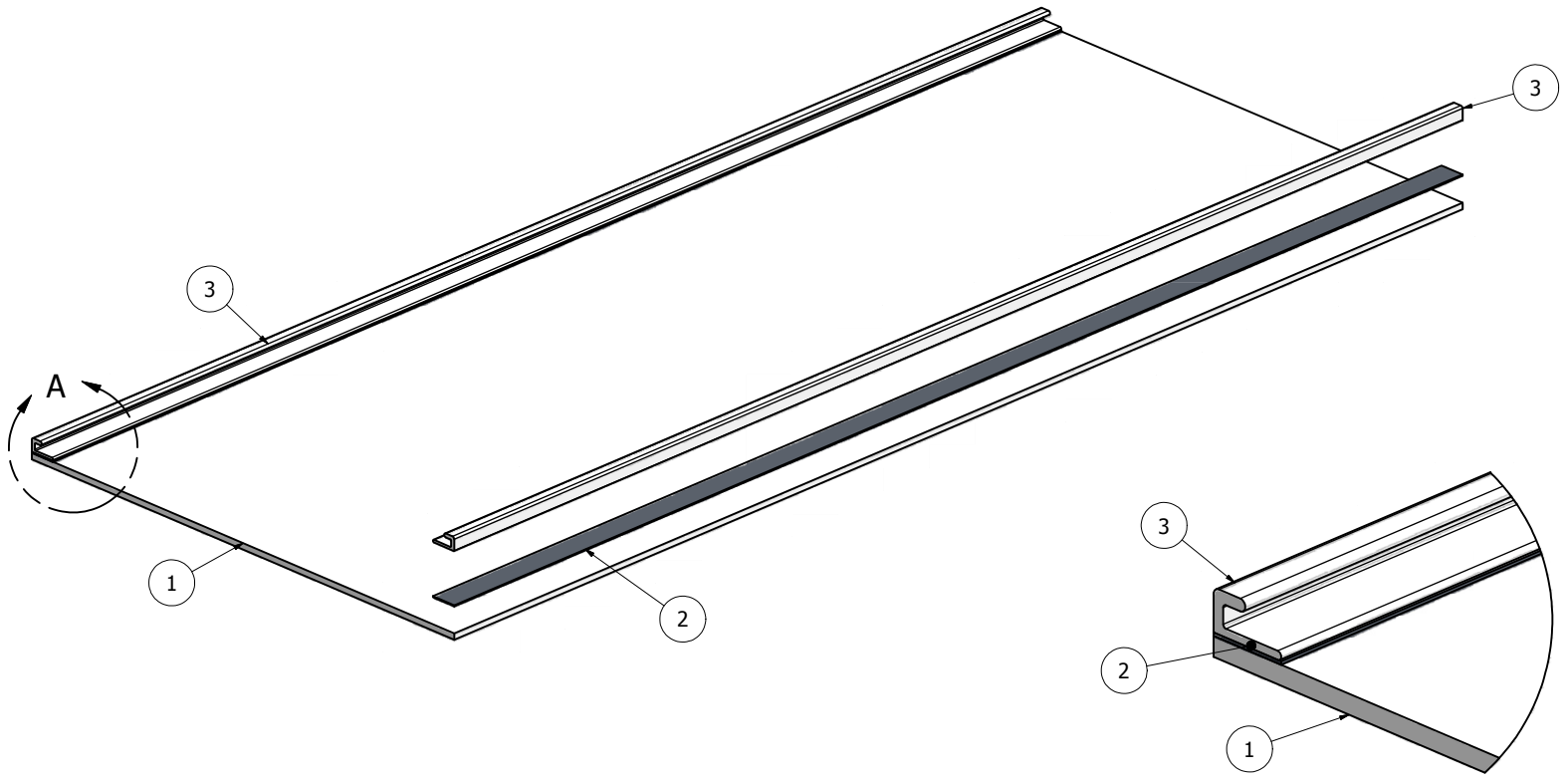
DWG NO **K1291/92/96 - Reveal** REV

NOTE: CENTER THE REVEAL ON THE BODY BEFORE FASTENING TO ENSURE THE CABINET IS FLUSH WITH THE POSTS.

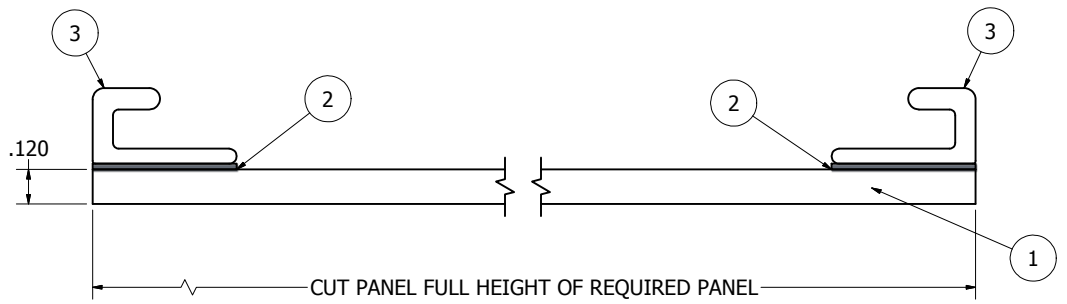
SIDE CROSS-SECTION

Parts List			
ITEM	PART #	DESCRIPTION	NOTES
1	Plastic Stock	.120 Acrylic Sheet	By Fabricator
2	Adhesive	Adhesive Tape (for Plastic) or Liquid Bonding Agent	By Fabricator
3	1689	Plastic Insert Adaptor	Top & Bottom

Ship To:
Order Number:



DETAIL A



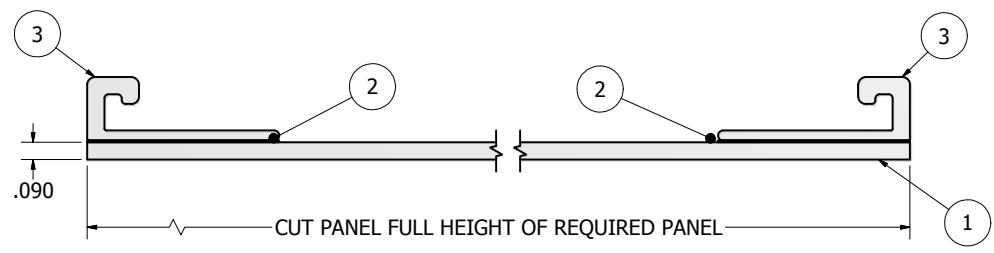
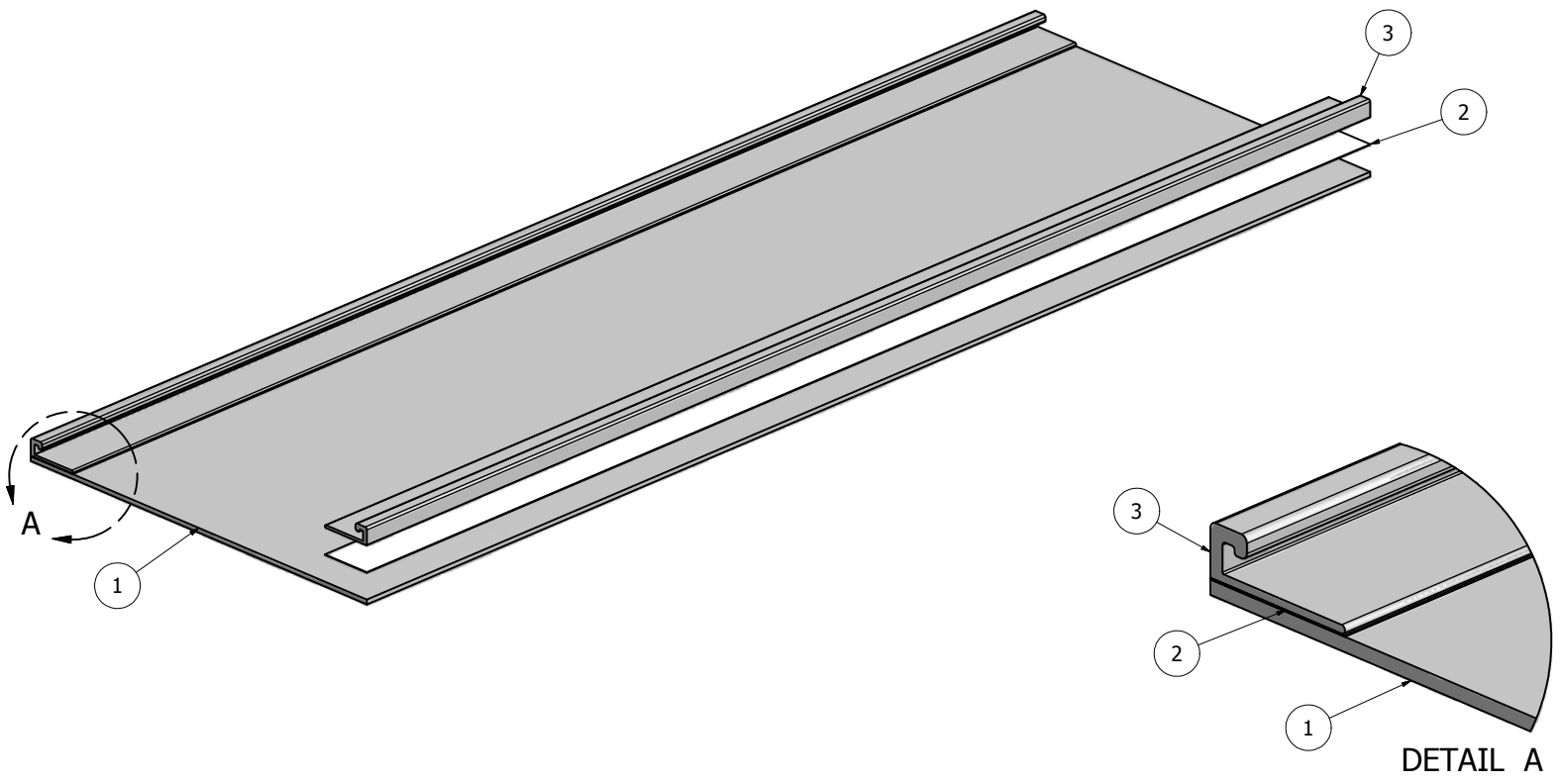
NOTE: PRE-CUT KITS ARE NOT PRE-DRILLED.
(Holes shown in this drawing are for reference only.
Drilling of pilot holes are to be done by fabricator.)

THIS DRAWING WAS CREATED AT NO CHARGE TO ASSIST YOU IN VISUALIZING OUR PROPOSAL. THE DRAWING HEREIN IS THE PROPERTY OF SIGNCOMP. PERMISSION TO COPY OR REVISE THIS DRAWING OR TO USE THIS DRAWING FOR PRODUCTION IS STRICTLY PROHIBITED AND CAN ONLY BE COPIED, REVISED OR USED FOR PRODUCTION WITH THE EXPRESSED WRITTEN PERMISSION OF SIGNCOMP.

DRAWN Steve	12/15/2008	SignComp	
CHECKED			
QA		TITLE Plastic Insert Panel Adaptors - Assembly	
MFG		SIZE C	DWG NO 1689
APPROVED		SCALE	REV
		SHEET 1 OF 1	

Parts List			
ITEM	PART #	DESCRIPTION	NOTES
1	Aluminum Stock	.090 Flat Aluminum Sheet	By Fabricator
2	Tape/Adhesive	Bonding Tape or Bonding Adhesive	For Aluminum Bonding - By Fabricator
3	1679	Aluminum Insert Adaptor	Top and Bottom

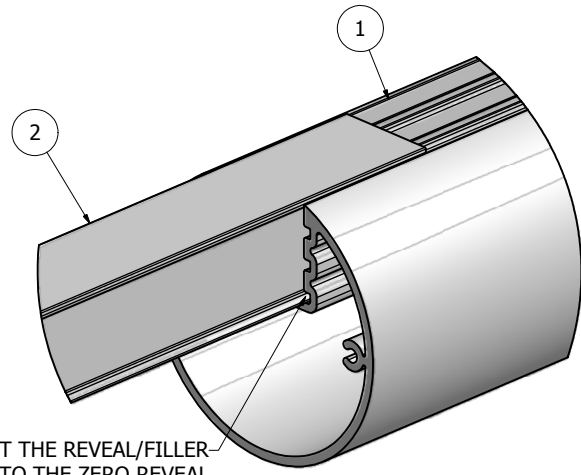
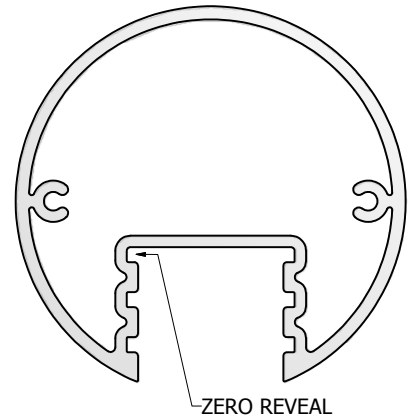
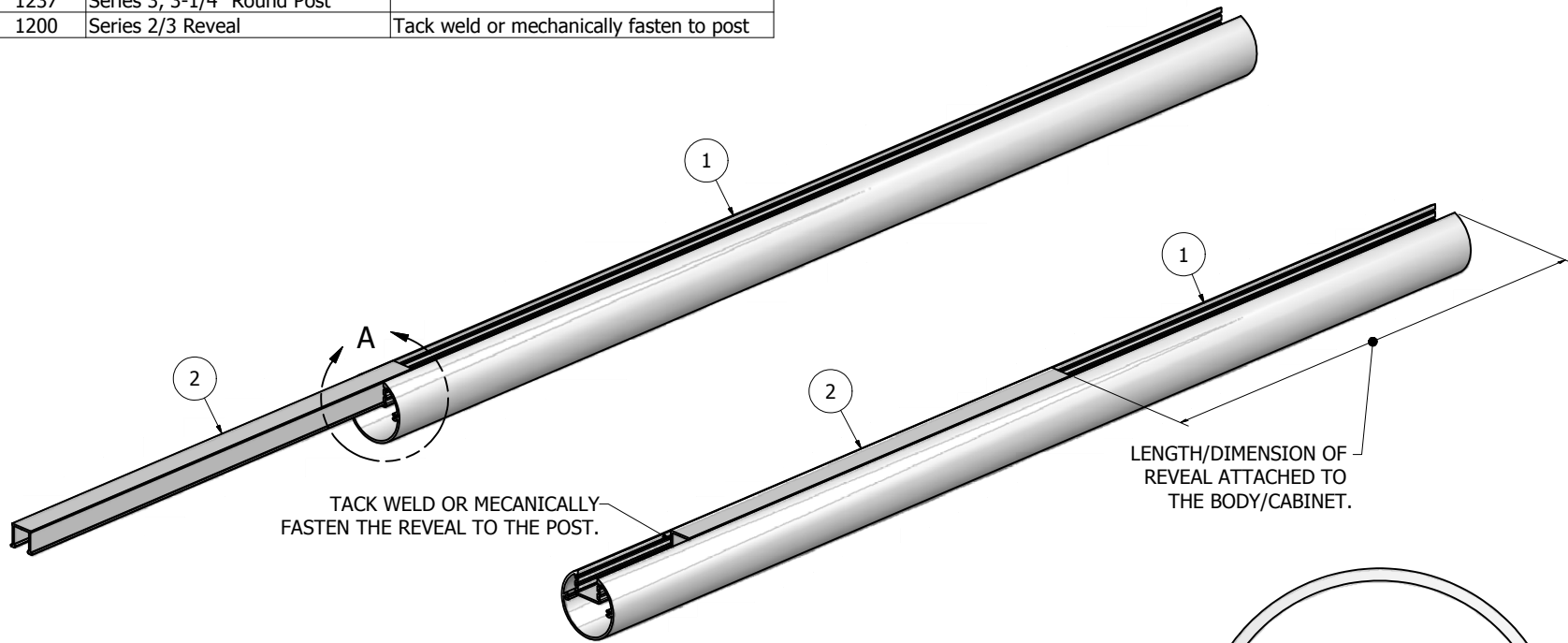
Ship To:
Order Number:



NOTE: PRE-CUT KITS ARE NOT PRE-DRILLED.
(Holes shown in this drawing are for reference only.
Drilling of pilot holes are to be done by fabricator.)

THIS DRAWING WAS CREATED AT NO CHARGE TO ASSIST YOU IN VISUALIZING OUR PROPOSAL. THE DRAWING HEREIN IS THE PROPERTY OF SIGNCOMP. PERMISSION TO COPY OR REVISE THIS DRAWING OR TO USE THIS DRAWING FOR PRODUCTION IS STRICTLY PROHIBITED AND CAN ONLY BE COPIED, REVISED OR USED FOR PRODUCTION WITH THE EXPRESSED WRITTEN PERMISSION OF SIGNCOMP.			
DRAWN	12/15/2008	SignComp	
Steve			
CHECKED			
QA			
MFG		Aluminum Insert Adaptor - Assembly	
APPROVED		SIZE	DWG NO
		C	1679
		SCALE	SHEET 1 OF 1

Parts List			
ITEM	PART #	DESCRIPTION	NOTES
1	1237	Series 3, 3-1/4" Round Post	
2	1200	Series 2/3 Reveal	Tack weld or mechanically fasten to post



NOTE: PRE-CUT KITS ARE NOT PRE-DRILLED.
 (Holes shown in this drawing are for reference only. Drilling of pilot holes are to be done by fabricator.)

THIS DRAWING WAS CREATED AT NO CHARGE TO ASSIST YOU IN VISUALIZING OUR PROPOSAL. THE DRAWING HEREIN IS THE PROPERTY OF SIGNCOMP. PERMISSION TO COPY OR REVISE THIS DRAWING OR TO USE THIS DRAWING FOR PRODUCTION IS STRICTLY PROHIBITED AND CAN ONLY BE COPIED, REVISED OR USED FOR PRODUCTION WITH THE EXPRESSED WRITTEN PERMISSION OF SIGNCOMP.

DRAWN	Steve	4/5/2010	SignComp	
CHECKED				
QA			TITLE	
MFG			Series 3, 3-1/4" Round Post - Serires 2/3 Reveal - Assembly	
APPROVED			SIZE	DWG NO
			C	1237-00
			SCALE	SHEET 1 OF 1